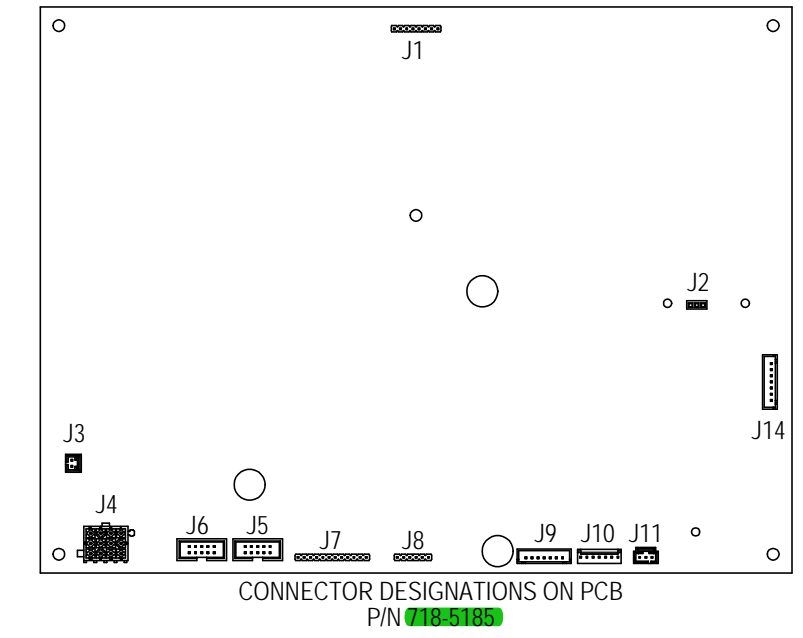
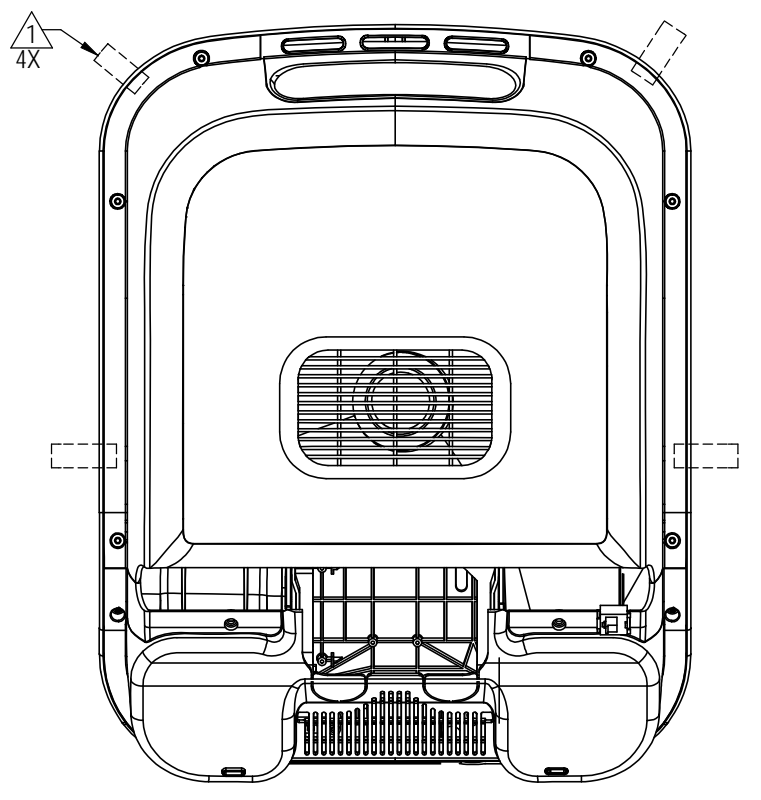


REVISIONS				
REV.	DATE	DESCRIPTION	ECO	BY
A	03-26-08	PRODUCTION RELEASE, NEW IPOD CONSOLE	11822	DN
B	04-30-08	ADD 718-5186 AND REMOVE 718-5095	11890	AK
C	01-14-09	ADDED: P/N 140-3459 IPOD PORT PLUG AND NOTE 6	12079	AK
D	11-11-09	REMOVE P/N: 715-3407 QTY:1; ADD P/N: 715-3864 QTY:1, 718-5196 QTY:1; P/N: 110-3402 QTY: IS 26 WAS 27; ADD NOTE 7	12313	SJK

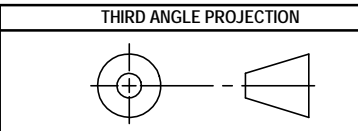


ITEM	PART NUMBER	DESCRIPTION	Default QTY.
1	020-7053	HOUSING, BACK, TOP, BCS	1
2	020-7058	HOUSING, TV CAP, BLANK, BCS	1
3	020-7078	ASSY, BOTTOM, CUP HLDR, BTS	1
4	020-7094	HOUSING, HEAD PH, BLANK, BCS	1
5	020-7289	POCKET, IPOD HOLDER, E-SERIES	1
6	050-2041	LOGO, STAR TRAC, 6.425X1.523	1
7	110-3402	SCREW, M4x0.7x19L, PHT, PH, CS, BZ	26
8	110-3404	SCREW, M4x0.7x8L, PHT, PH, CS, BO	3
9	140-3459	PLUG, IPOD PORT	1
10	715-3651	ASSY, AIR VENT, BCS	1
11	715-3864	ASSY, WIRELESS HR, POLAR, 92cm L.R.	1
12	718-5096	ASSY, CC, BCS, BASIC	1
13	718-5101	HOUSING, FRONT W/COVER, BCS	1
14	718-5186	ASSY, DISPLAY LED, E-BIKES	1
15	718-5196	ASSY, CABLE, WIRELESS HR	1
16	721-0033	ASSY., CONN., FITLINX/CARDIO	1

- NOTES: (D)
- USE NON MARKING, LOW TACK, CLEAR TAPE TO HOLD BACK PLASTIC (P/N 020-7053 TO COMPLETE ASSEMBLY).
  - QTY 8 OF P/N 110-3402 TO BE PROVIDED IN A POLYBAG.
  - CLEAN AREA WITH ISOPROPYL ALCOHOL & LET DRY BEFORE APPLICATION OF STICKER.
  - APPLY 13-17 lb-in. / 1.5-1.9 N-m TORQUE TO SCREWS (110-3402).
  - APPLY 8-12 lb-in. / 0.9-1.4 N-m TORQUE TO SCREWS (110-3404).
  - P/N 140-3459 IPOD PORT PLUG IS INSERTED IN P/N 020-7289 (IPOD CUPHOLDER)
  - APPLY PRESSURE FOR AT LEAST 5 SEC. FOR ADHESIVE TO ADHERE TO PLASTIC SHROUD WHEN HR BOARD (715-3864) IS MOUNTED.

DOCUMENT STATUS:  
**RELEASE**

NOTICE OF PROPRIETARY INFORMATION  
THIS DOCUMENT SHALL NOT BE REPRODUCED NOR SHALL THE INFORMATION CONTAINED HEREIN BE USED BY OR DISCLOSED TO OTHER EXCEPT AS EXPRESSLY AUTHORIZED BY UNISEN INC. D.B.A. STAR TRAC.



MATERIAL SEE BOM	UNLESS OTHERWISE SPECIFIED DIMENSIONS ARE IN INCHES. TOLERANCES ARE: DECIMALS X = ±.13 X.X = ±.05 X.XX = ±.03 X.XXX = ±.010	UNISEN, INC. DBA <b>STAR TRAC</b> 14410 Myford Road Irvine CA 92606
FINISH N/A	INITIAL DATE DRAWN DN 02/18/08	STARTRAC PART NO <b>718-5173</b>
VENDOR: N/A P/N: N/A	U.O.M. INCH	TITLE ASSY, DISP ELEC, IPOD CUP, E-BK
		SCALE: 1:3 SHEET 1 OF 1 SHEET SIZE: C